

INDUSTRIAL ENCLOSURES

BY TRICEL

40+ YEARS
TECHNICAL
EXPERIENCE



PLINTH (750MM WIDE)

750 x 750 x 300MM
STOCK CODE: 104033



TRICEL
CONSTRUCTION

STOCK CODE:
104033

PLINTH (750MM WIDE)

750 x 750 x 300MM

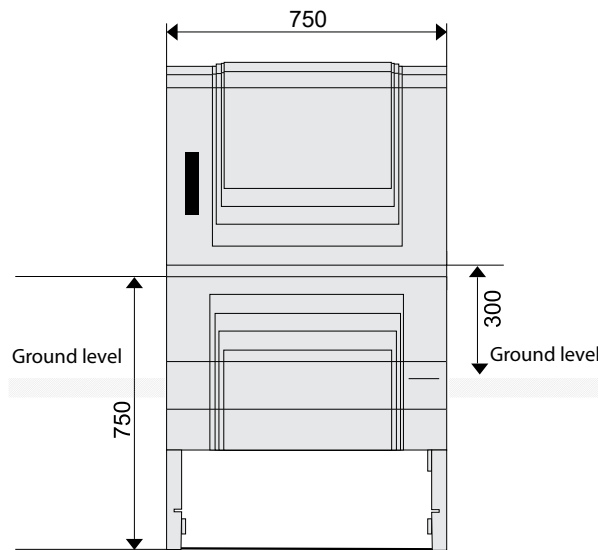
**INDUSTRIAL
ENCLOSURES**
BY TRICEL

40+
YEARS
TECHNICAL
EXPERIENCE

The GRP Plinth is a base or platform which supports the Tricel Industrial Enclosures (meter boxes).

The Plinth is designed as a weight bearing base, which is partially buried underground and acts as a support between the ground and the enclosure and has been designed to provide space for cable and duct access during installation.

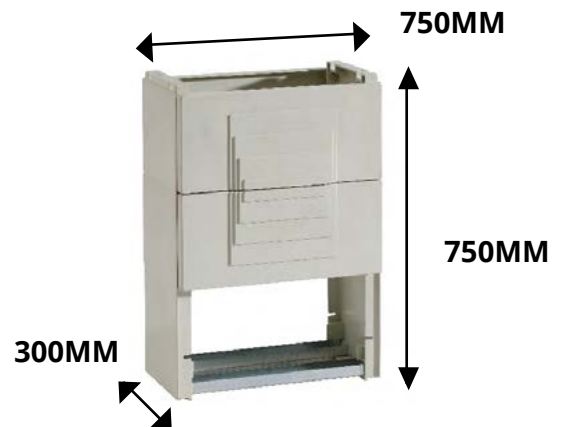
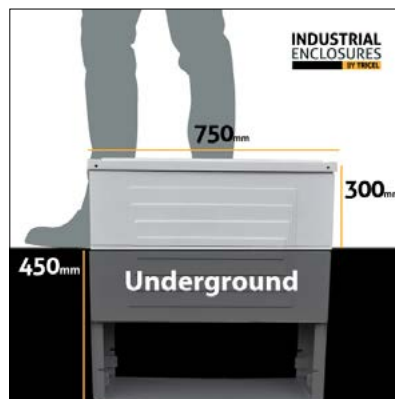
The Plinth has removable covers to allow front entry for essential maintenance and also prevents direct contact with the moisture in the soil.



Plinth and Electrical Enclosure sold separately



Plinth with Industrial Enclosure.
Products sold separately.



INTERNAL DIMENSIONS & CAPACITY

Dimensions: 750mm high x 750mm wide x 300mm deep

The overall height of this Plinth is 750mm.

STOCK CODE:
104033

PLINTH (750MM WIDE)

750 x 750 x 300MM

**INDUSTRIAL
ENCLOSURES**
BY TRICEL

40+
YEARS
**TECHNICAL
EXPERIENCE**

SPECIFICATION & KEY FEATURES

- Constructed from Glass Reinforced Polymer (GRP).
- Supplied assembled.
- Supplied in light grey colour (Ral 7035).
- Suitable for use in temperatures ranging from -30°C to +70°C.
- Made from non-hygroscopic material ensuring minimum water absorption.
- Constructed from halogen-free and self-extinguishing material.
- UV protected.

ASSOCIATED PRODUCTS



500X750X300MM
ELECTRICAL ENCLOSURE
(103964)

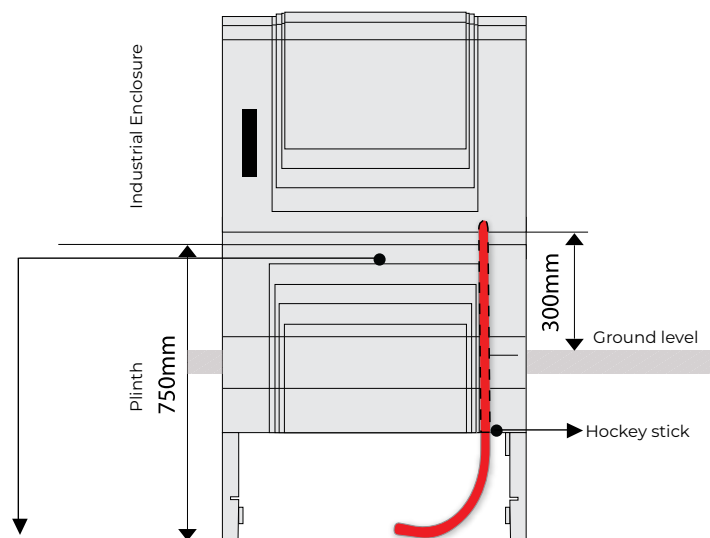


750X750X300MM
ELECTRICAL ENCLOSURE
(103966)



1000X750X300MM
ELECTRICAL ENCLOSURE
(103968)

GROUND INSTALLATION INSTRUCTIONS



Front opening on plinth
with integrated locking
system for easy access.

FRONT VIEW OF INDUSTRIAL ENCLOSURE ON PLINTH

* Approximate dimensions.

In accordance with Tricel's normal policy of product development these specifications are subject to change without notice.

TRICEL UK
Tel: +44 (0)1453 791616

Registered number 02868648

TRICEL IRL
Tel: +353 (0)64 663 2421

Registered number IE 075014

**INDUSTRIAL
ENCLOSURES**
BY TRICEL

40+
YEARS
**TECHNICAL
EXPERIENCE**

GROUND INSTALLATION INSTRUCTIONS

OUTDOOR INSTALLATION OF A PLINTH

DIMENSIONS TO KEEP IN MIND:

- The overall height of the plinth is 750mm.
- The height above the ground level is 300mm and the height below the ground level is 450mm.

See drawing on previous page.

HOW TO INSTALL A PLINTH TO THE GROUND?

PREPARATIONS - BEFORE INSTALLING THE PLINTH IN THE GROUND

- Drill the top of the plinth for hockey sticks (outer diameter: 42mm) or ducting to provide an entry location for the enclosure/cabinet base.
- Drill the base of the enclosure at the same location to provide inlet location for pipework/hockey stick containing cables.
- Cut the hockey stick to raise the cables to 800mm from the bottom of the plinth or as per requirements. Make sure that the holes on the plinth top and on the enclosure, base are matching/drilled at the same location to provide access to pipework through the enclosure top to its interior.
- Allow a projection of 25mm of the hockey stick or duct into the base of the cabinet.

GROUND INSTALLATION INSTRUCTIONS

SEE BELOW THE STEP BY STEP GUIDE TO INSTALLING A PLINTH TO THE GROUND

WET AND DRY SITES

Is your site wet or dry? Follow our simple step by step guidance.

- A **dry site** is one where the **water table never rises higher than the base of the plinth.**
- A **wet site** is one where the **water table may rise higher than the base of the plinth.**

* Approximate dimensions.

In accordance with Tricel's normal policy of product development these specifications are subject to change without notice.

TRICEL UK

Tel: +44 (0)1453 791616

Registered number 02868648

TRICEL IRL

Tel: +353 (0)64 663 2421

Registered number IE 075014

STOCK CODE:
104033

PLINTH (750MM WIDE)

750 x 750 x 300MM

**INDUSTRIAL
ENCLOSURES**
BY TRICEL

40+
YEARS
**TECHNICAL
EXPERIENCE**

TRICEL PLINTH INSTALLATION	DRY SITE	WET SITE
Make sure the excavation exceeds the dimensions of the enclosure by 1m, to maintain space of 500mm all around.	✓	✓
For a plinth having a base dimension 500x300mm , the excavation size required is 1500x1300mm. For a plinth having base size 750x300mm , the excavation size required is 1750x1300mm.	✓	✓
Remove all soft spots or large stones and boulders from the excavation	✓	✓
Determine the site conditions (WET or DRY) by examining the excavation	✓	✓
A base is then formed using compact gravel and this must be flat and level	✓	✗
A base is constructed of a 50mm layer of compact gravel covered in a 250mm layer of 25n Semi-Dry Concrete. The semi-dry concrete base should extend 150mm all around the plinth.	✗	✓
Position the plinth correctly, ensuring that the top of the plinth / the base of the enclosure is approximately 300mm above ground level. * This dimension is important in order to maintain the access through the plinth.	✓	✓
Ensure that the plinth is 100% level.	✓	✓
Using hex-head washer-slotted 6 x 60mm concrete screws, fix the legs of the plinth to the concrete base. Note, the plinth comes supplied with a base plate that has four pre-drilled corner holes. The plate can be used as a template to locate the drill locations on concrete.	✗	✓
Fit the ducts and hockey sticks as required. Complete the laying of the ducting/hockey sticks that contain the power supply to the Enclosure. Ensure the ducting containing the hoses and the power supply cable rises vertically up above the finished ground level inside the enclosure.	✓	✓
The plinth front can be locked. Open the lock and remove the front of the plinth for easy access. Inside the plinth, continue filling with gravel until the gravel layer reaches within 50mm of the finished ground level.	✓	✓
A layer of concrete can be applied inside the plinth around the ducting/hockey sticks until the internal level reaches finished ground level.	✓	✓
Using the nut and bolts (M10 x 90mm, not supplied), mount the base(s) of the enclosure with the plinth's top at four locations. Make sure the holes at the top of the plinth with hockey sticks match the holes at the base of the enclosure. The hockey sticks or any pipework/connections going inside the enclosure must be filled with expanding foam to prevent corrosive gases from entering the enclosure.	✓	✓
Outside the plinth, continue to backfill with gravel until the gravel layer is level with finished ground level.	✓	✓

* Approximate dimensions.

In accordance with Tricel's normal policy of product development these specifications are subject to change without notice.

TRICEL UK
Tel: +44 (0)1453 791616

Registered number 02868648

TRICEL IRL
Tel: +353 (0)64 663 2421

Registered number IE 075014



104033-1084885/1-OCT2021

**INDUSTRIAL
ENCLOSURES**
BY TRICEL

40+
YEARS
TECHNICAL
EXPERIENCE

GRAVEL SPECIFICATION

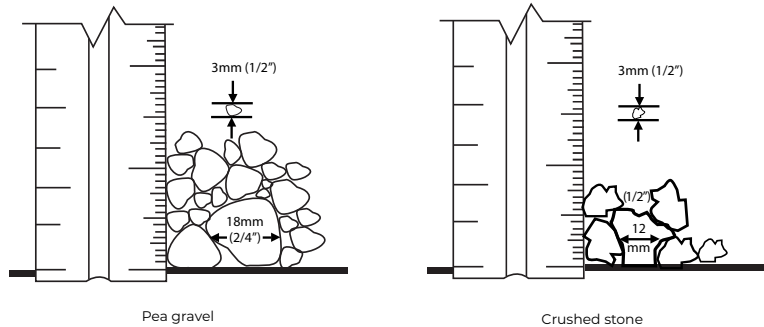
Rounded pea gravel:

- Minimum particle size 3mm, maximum 18 mm, compacted to a relative density of >70%.
- Gravel shall be clean and free flowing, free from large rocks, dirt, sand, roots, organic materials or debris.
- Upon screening analysis, the backfill material shall have no more than 5% by weight passing 2.36 mm sieve.

Or

Crushed or processed stone:

- Minimum particle size 3 mm, maximum 12 mm, compacted to a relative density of >40%
- Dry gravel density must be at least 1500 kg/m³. Material should be washed or screened to remove fine particles.
- Upon screening analysis, the backfill material shall have no more than 5% by weight passing 2.36mm sieve.



Warning: Electrical installations must be carried out by a qualified person/company.

* Approximate dimensions.

In accordance with Tricel's normal policy of product development these specifications are subject to change without notice.

TRICEL UK
Tel: +44 (0)1453 791616

Registered number 02868648

TRICEL IRL
Tel: +353 (0)64 663 2421

Registered number IE 075014